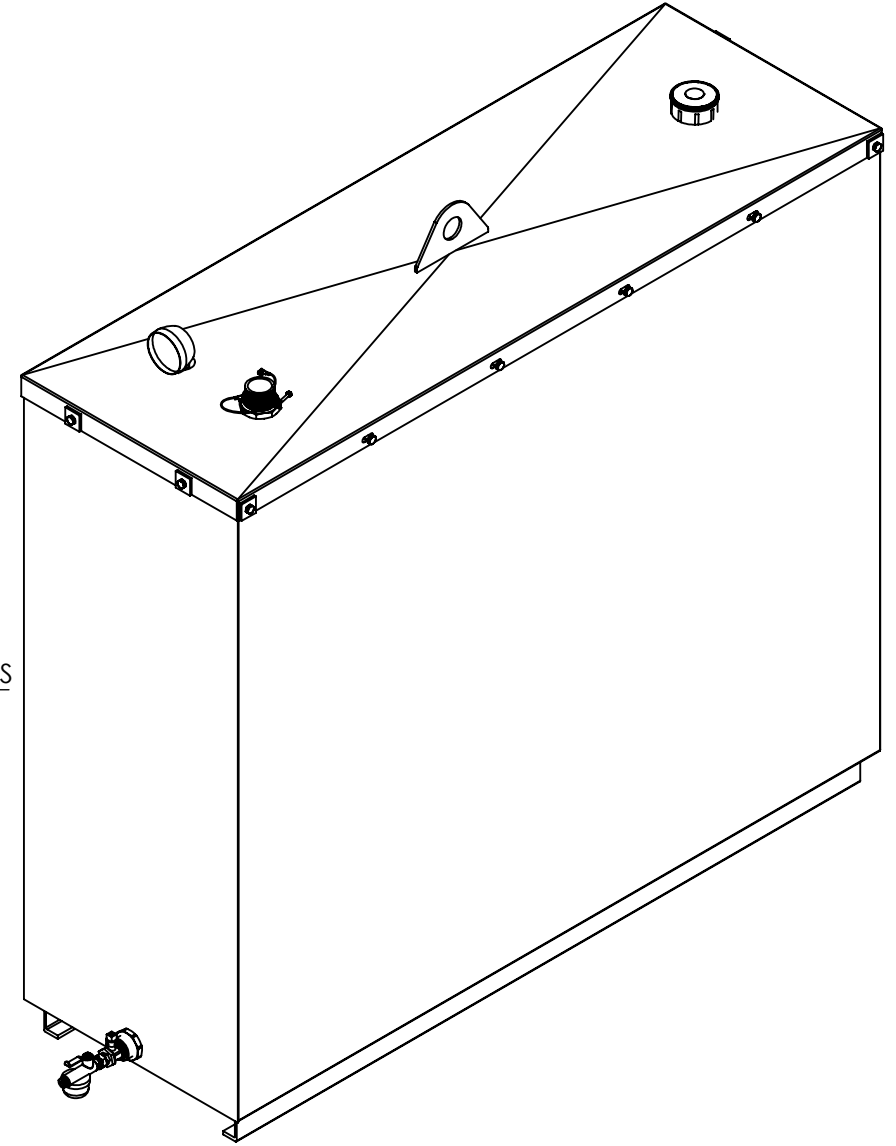
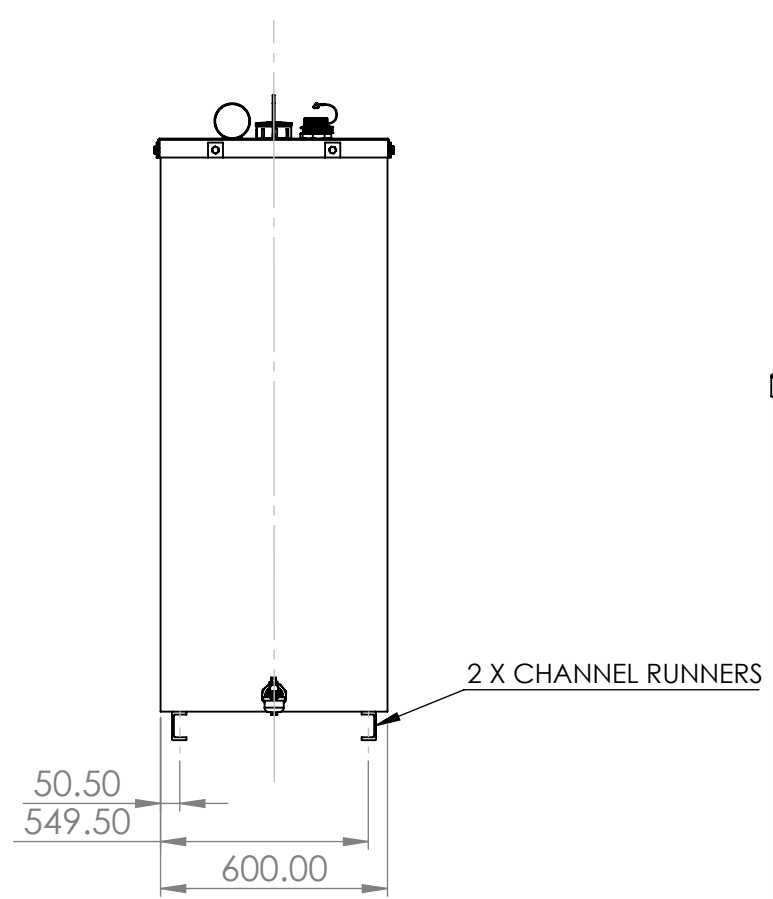
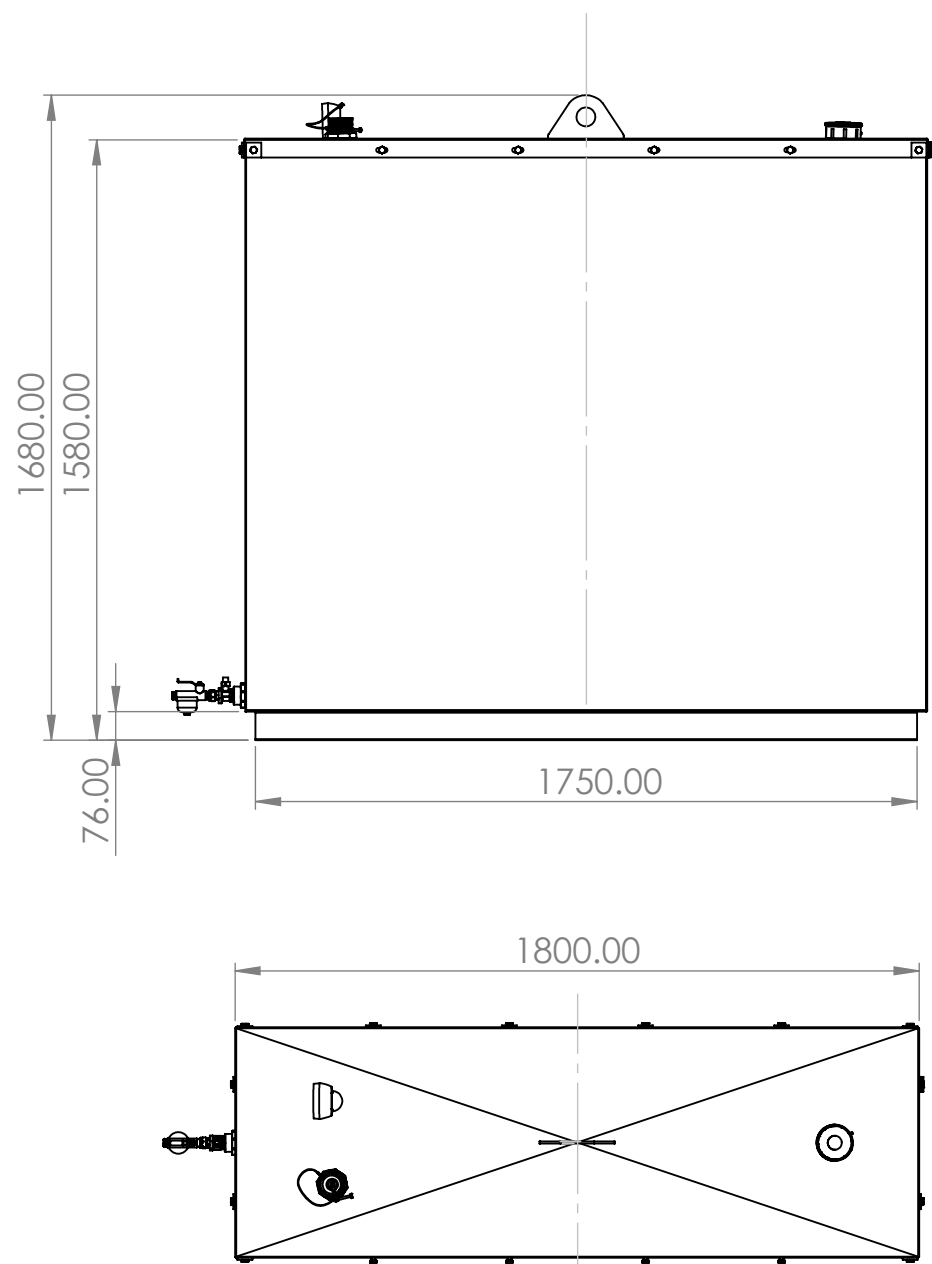


1000 LITRE STEEL BUNDED

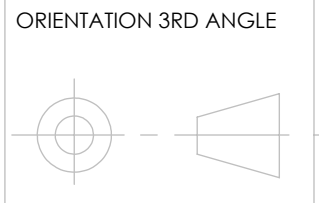


NOTES: 1000L MAX CAPACITY

			IF IN DOUBT-ASK!	REVISION: A
	NAME	SIGNATURE	DATE	TITLE:
DRAWN	MITCHELL S.	<i>MS</i>	04/09/2023	1000 LITRE STEEL BUNDED
CHK'D				
APPV'D				

tuffa[®] DESIGN FUNCTION PERFORMANCE

Tuffa UK Ltd
Dovefields Industrial Estate
Derby Road, Uttoxeter
Staffs ST14 8SW, UK



MATERIAL: STEEL

WEIGHT: 320KG

A3

UNLESS OTHERWISE SPECIFIED:
DIMENSIONS ARE IN MILLIMETERS
SURFACE FINISH:
TOLERANCES:
LINEAR: ± 0.1mm
ANGULAR: ± 0.1 deg

PROCESS:

SURFACE FINISH

CONFIDENTIAL / CLASSIFIED

THIS DRAWING AND INFORMATION WITHIN ARE PROPRIETARY TO TUFFA TANKS LTD AND ISSUED IN STRICT CONFIDENCE ON THE CONDITION THAT THIS DRAWING AND ANY INFORMATION THEREIN SHALL NOT BE COPIED, USED FOR MANUFACTURE OR SALE, ©TUFFA UK LTD ALL RIGHTS RESERVED

DWG NO. 0001

SHEET 1 OF 1

DO NOT SCALE DRAWING