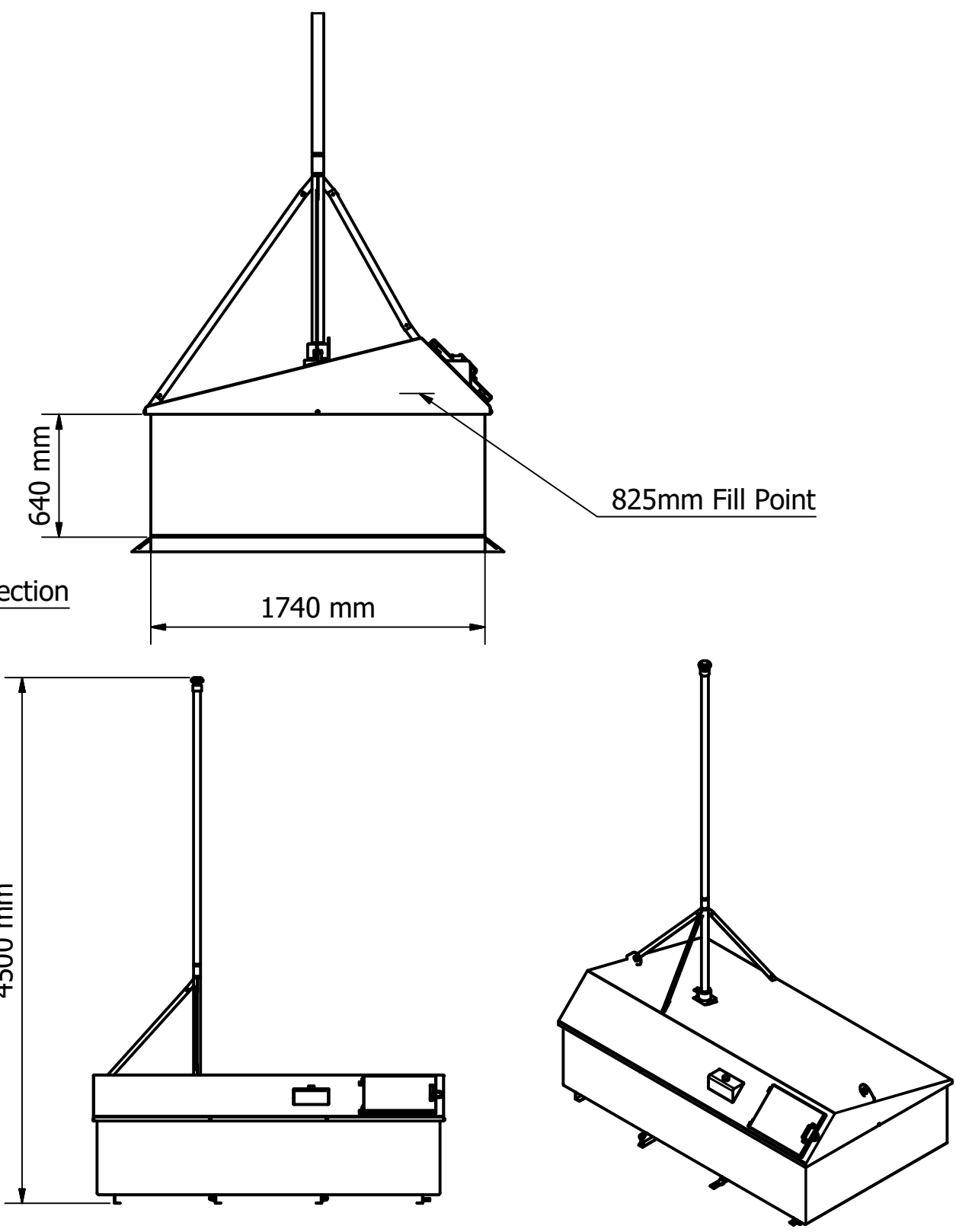
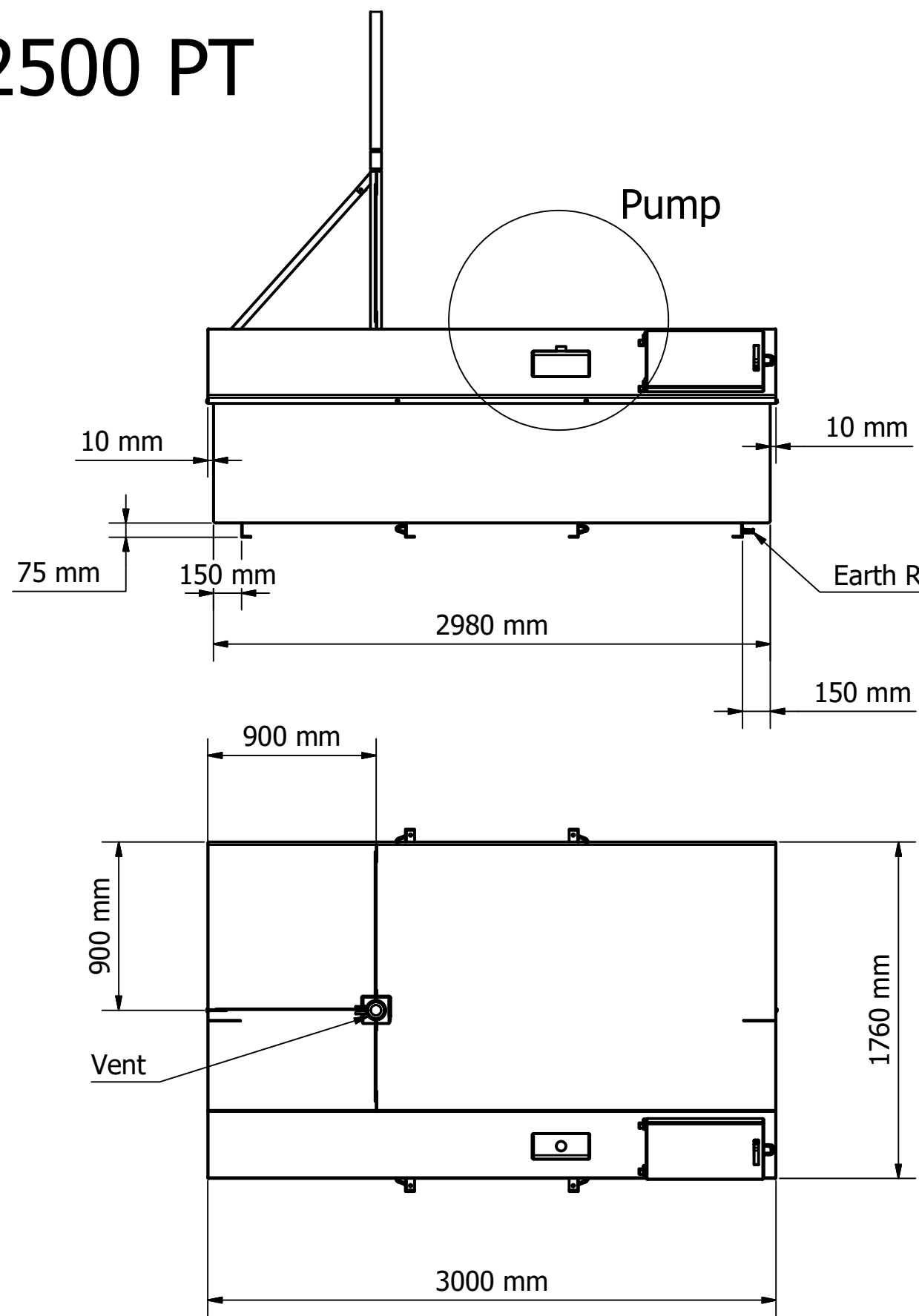



2500 PT



DESIGNED BY Rob Smith	CHECKED BY J Shenton	APPROVED BY	DATE	DATE 09/09/2021	
			2500 PT		
				ISSUE B	SHEET 1 / 1