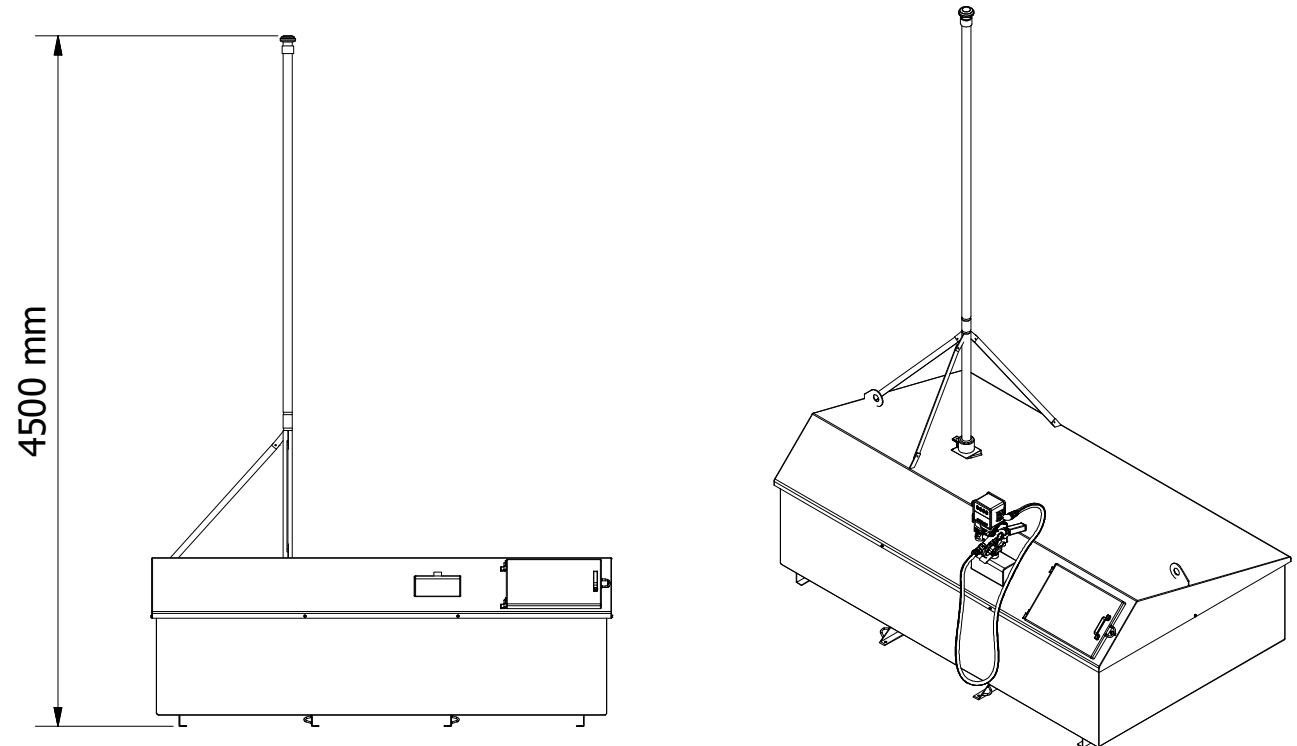
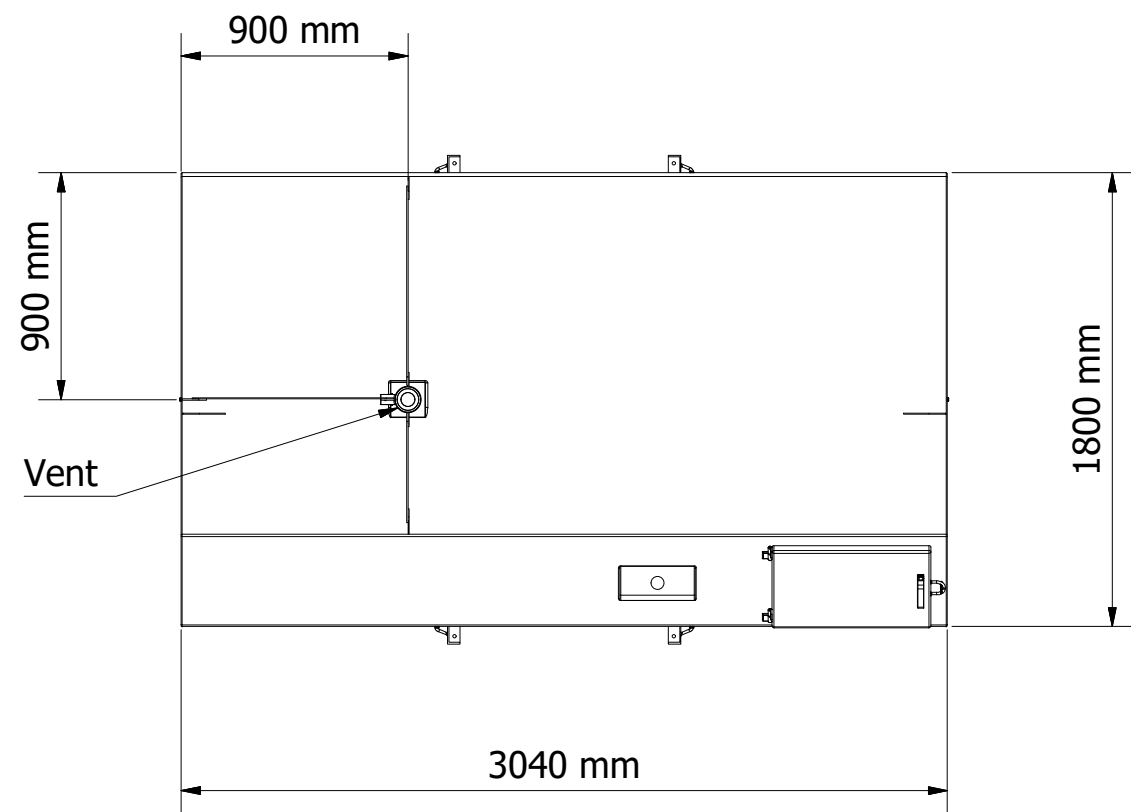
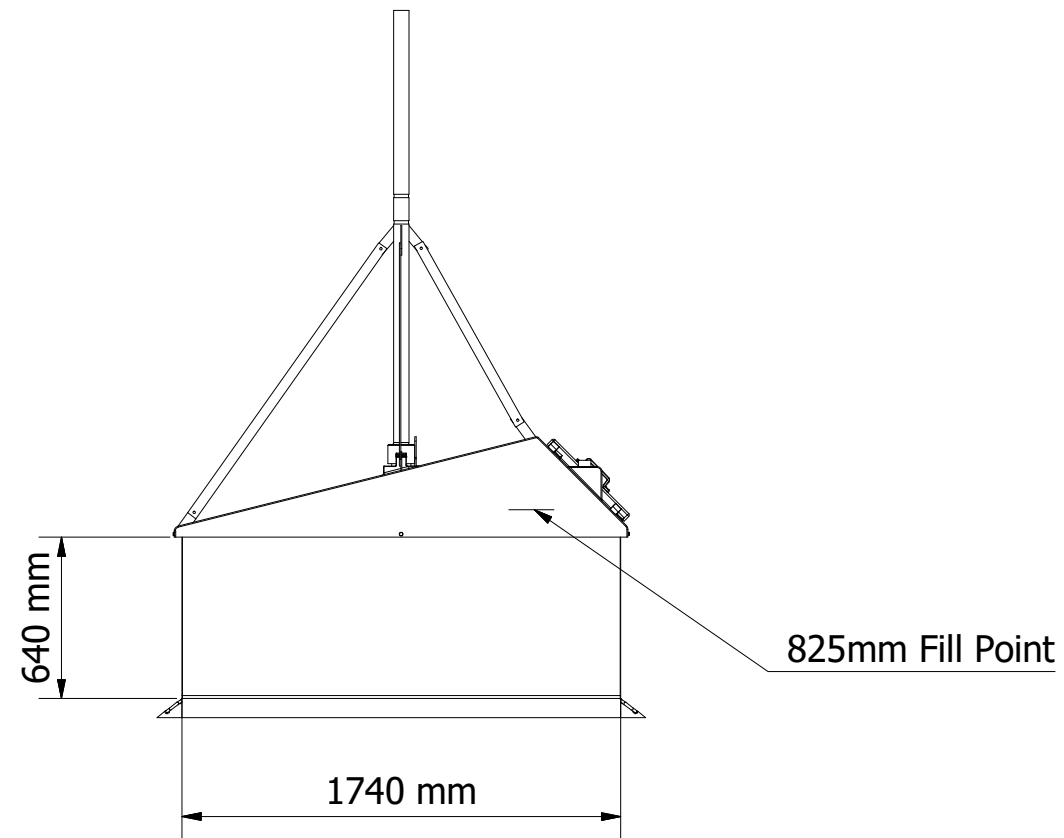
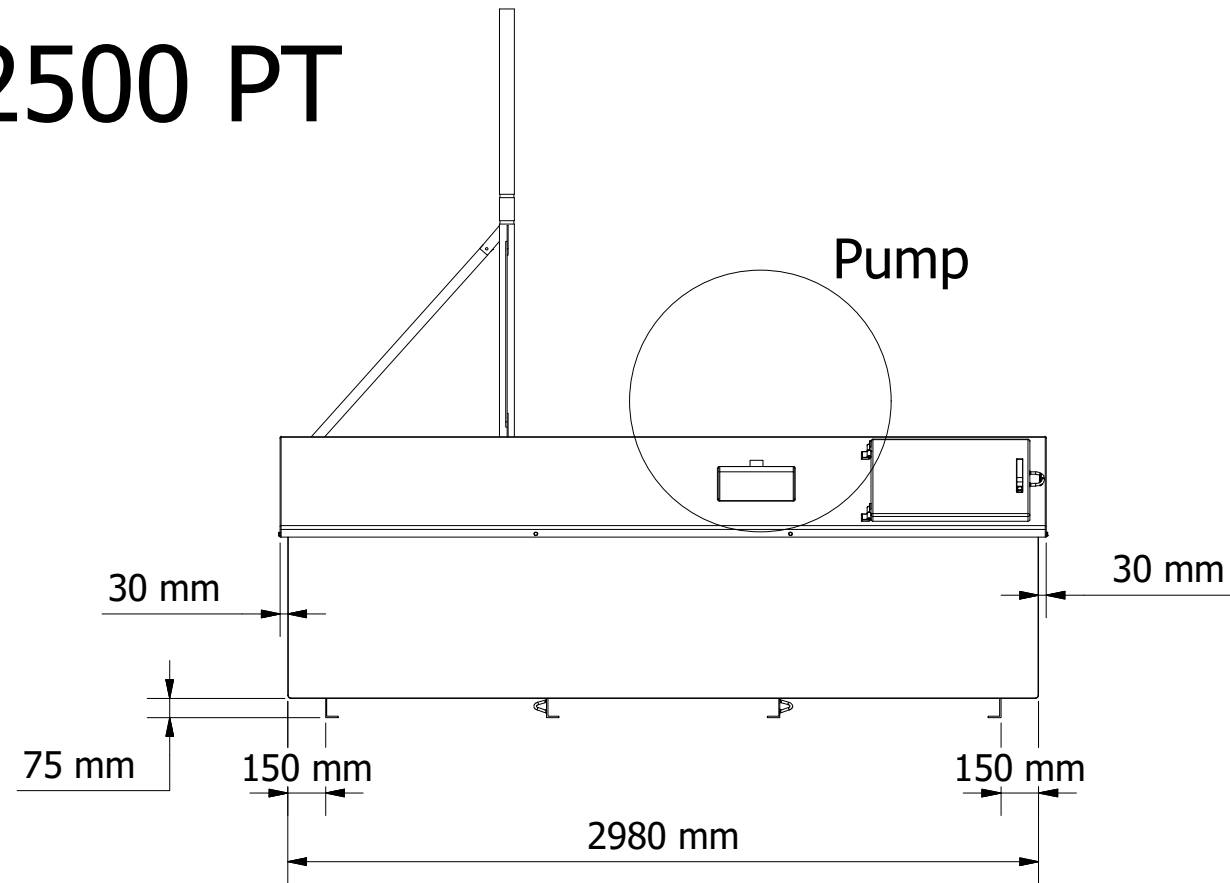



# 2500 PT



DESIGNED BY Rob Smith	CHECKED BY J Shenton	APPROVED BY	DATE	DATE 08/03/2018
			2500 PT	
			Weight - 1160 Kgs	ISSUE A