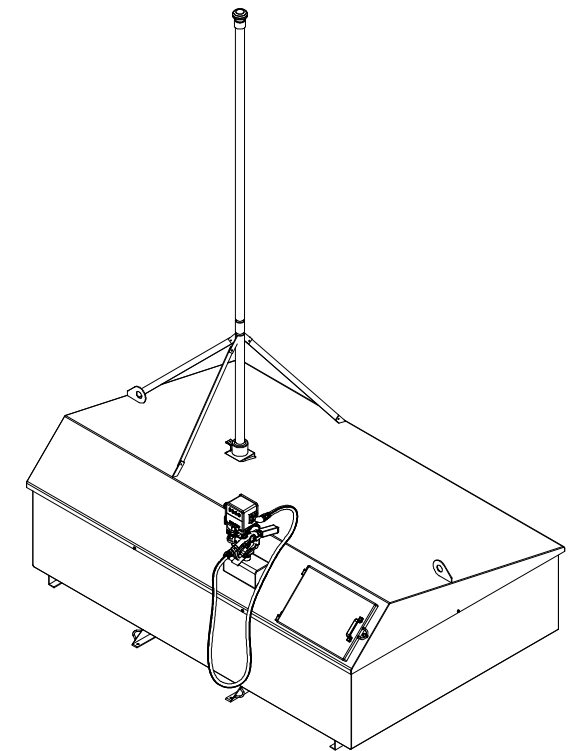
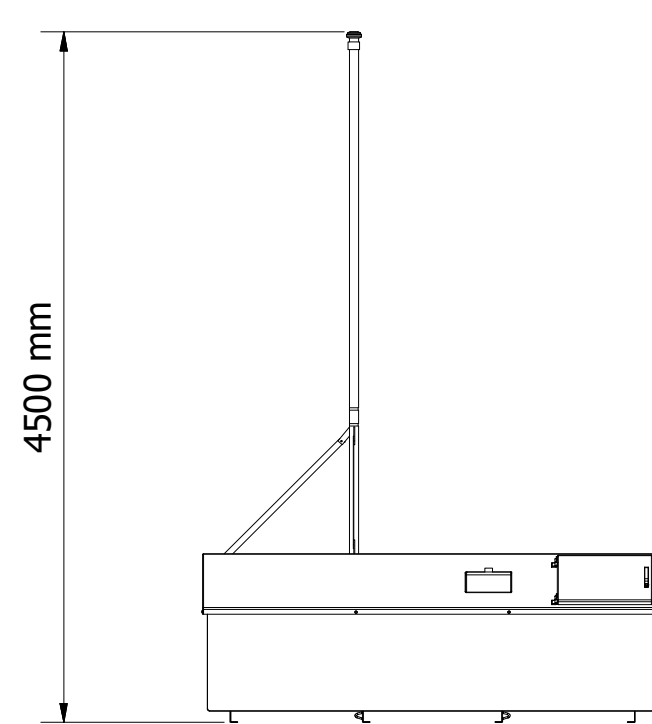
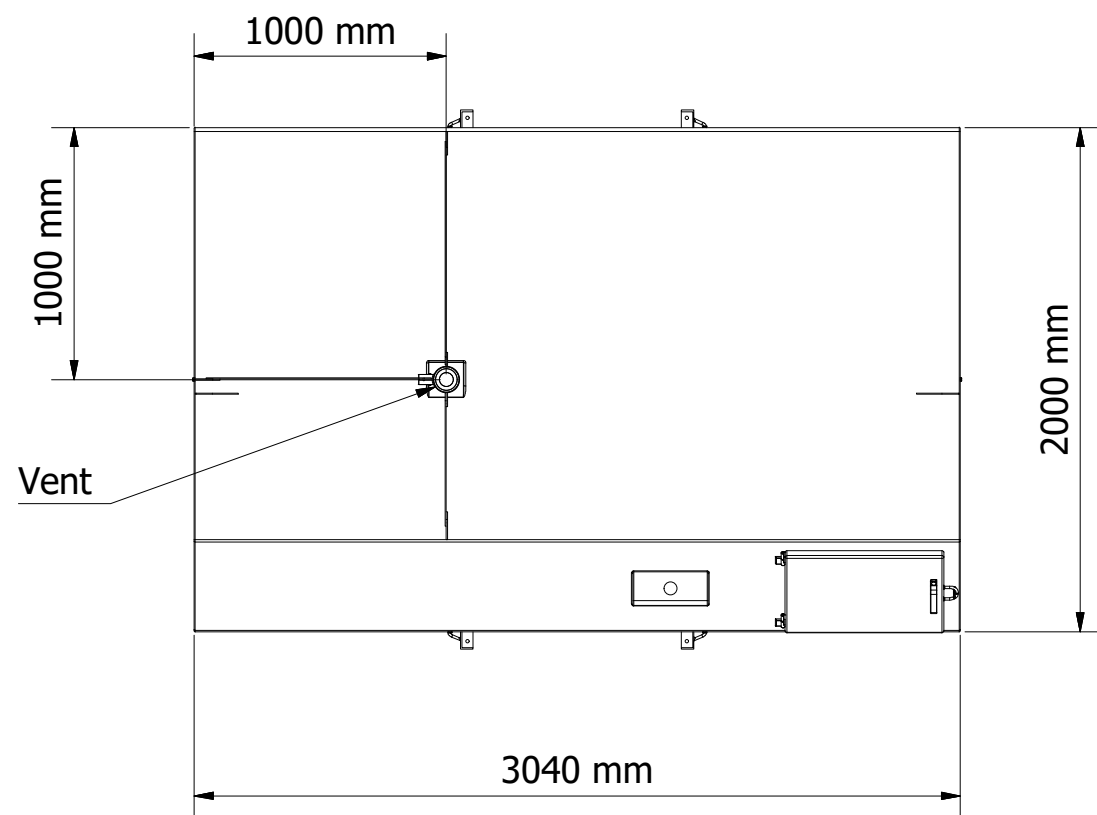
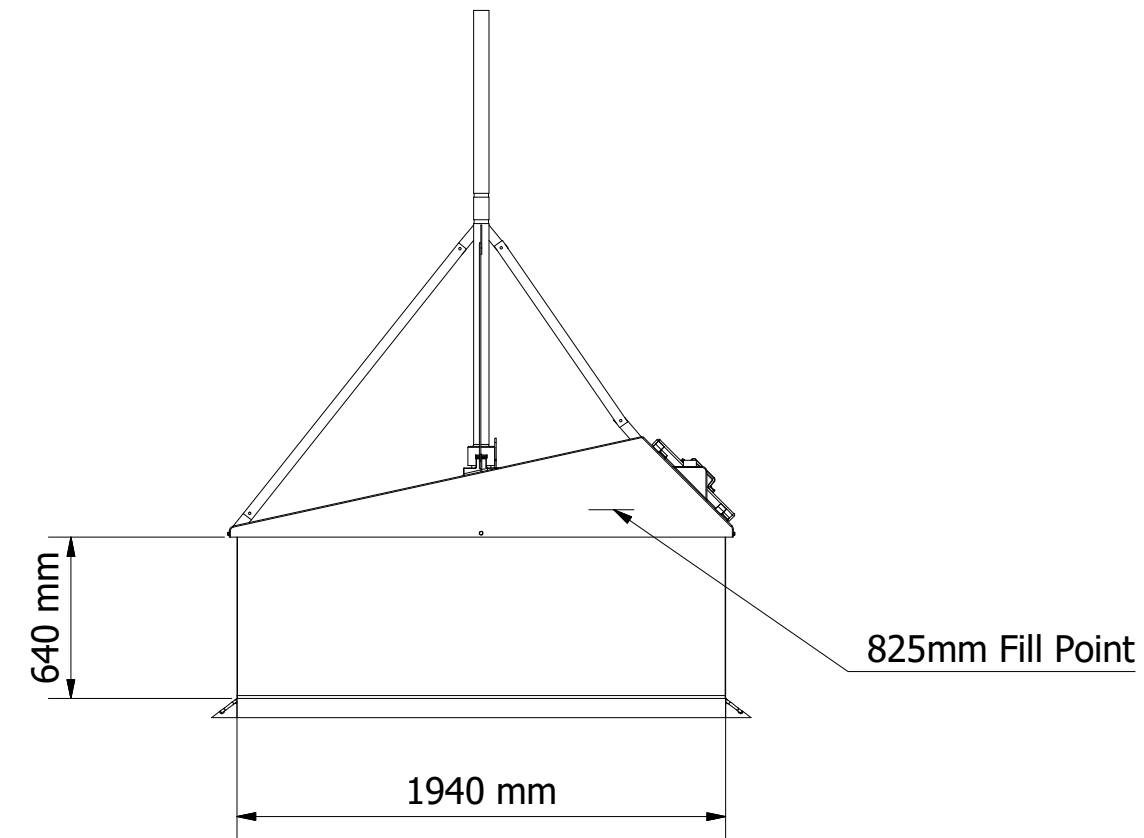
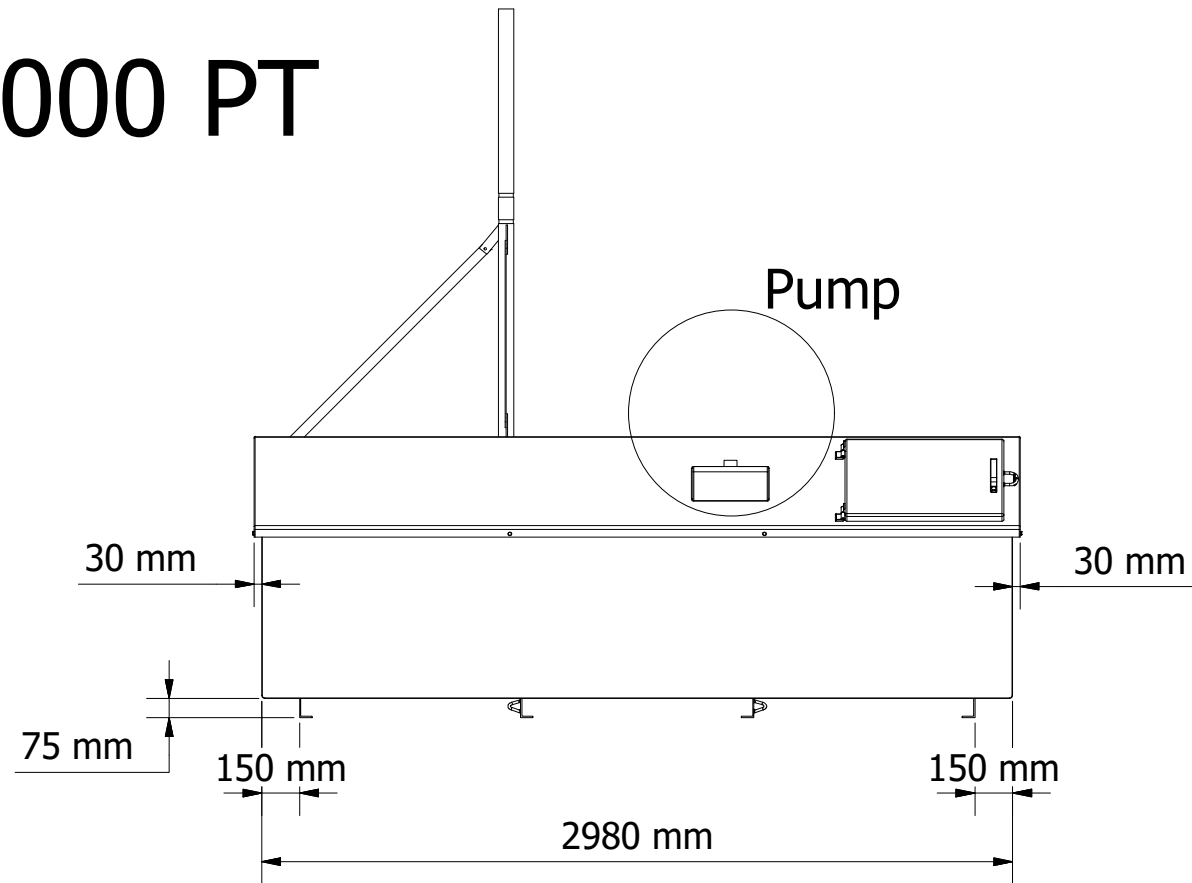



3000 PT



DESIGNED BY Rob Smith	CHECKED BY J Shenton	APPROVED BY	DATE	DATE 08/03/2018
			3000 PT	
			Weight - 1275 Kgs	ISSUE A