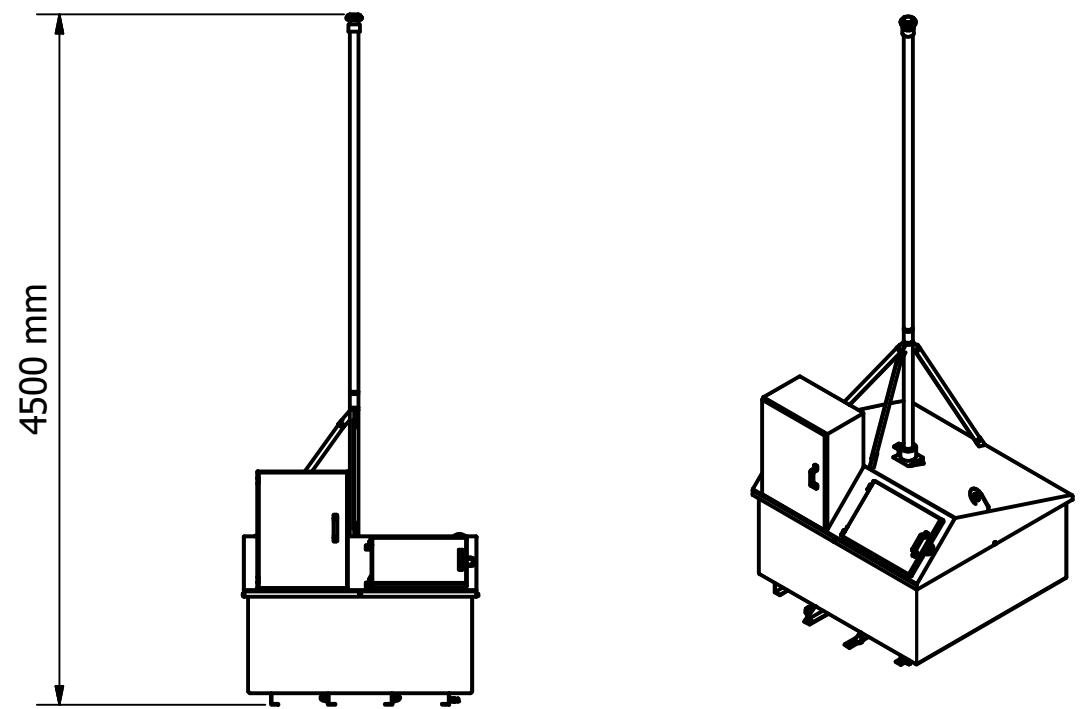
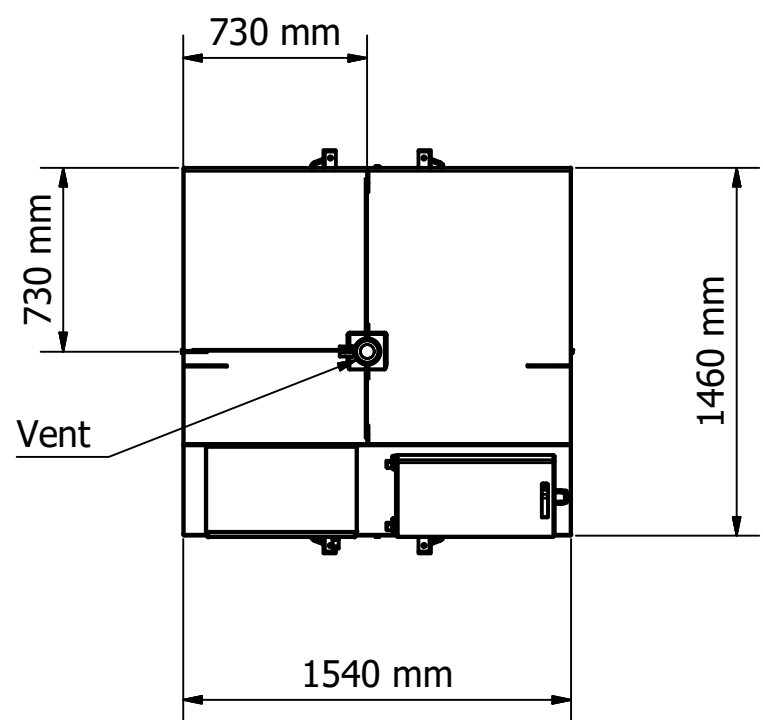
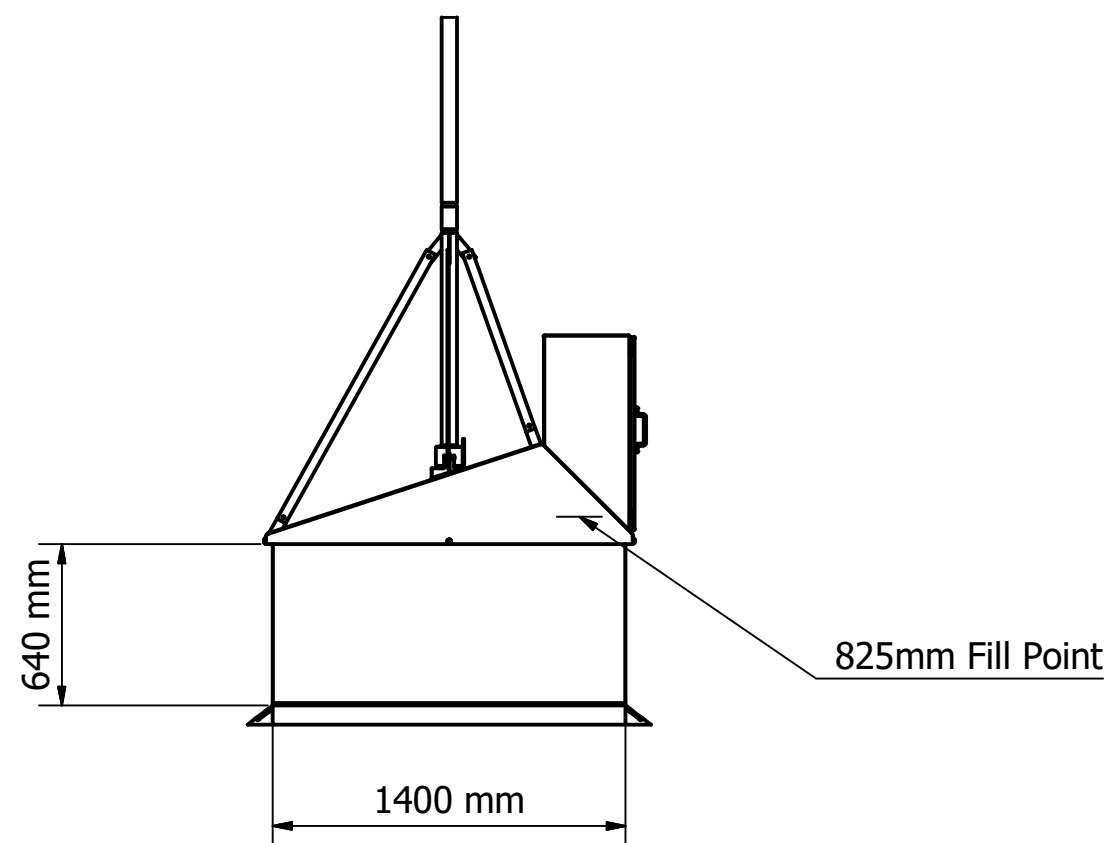
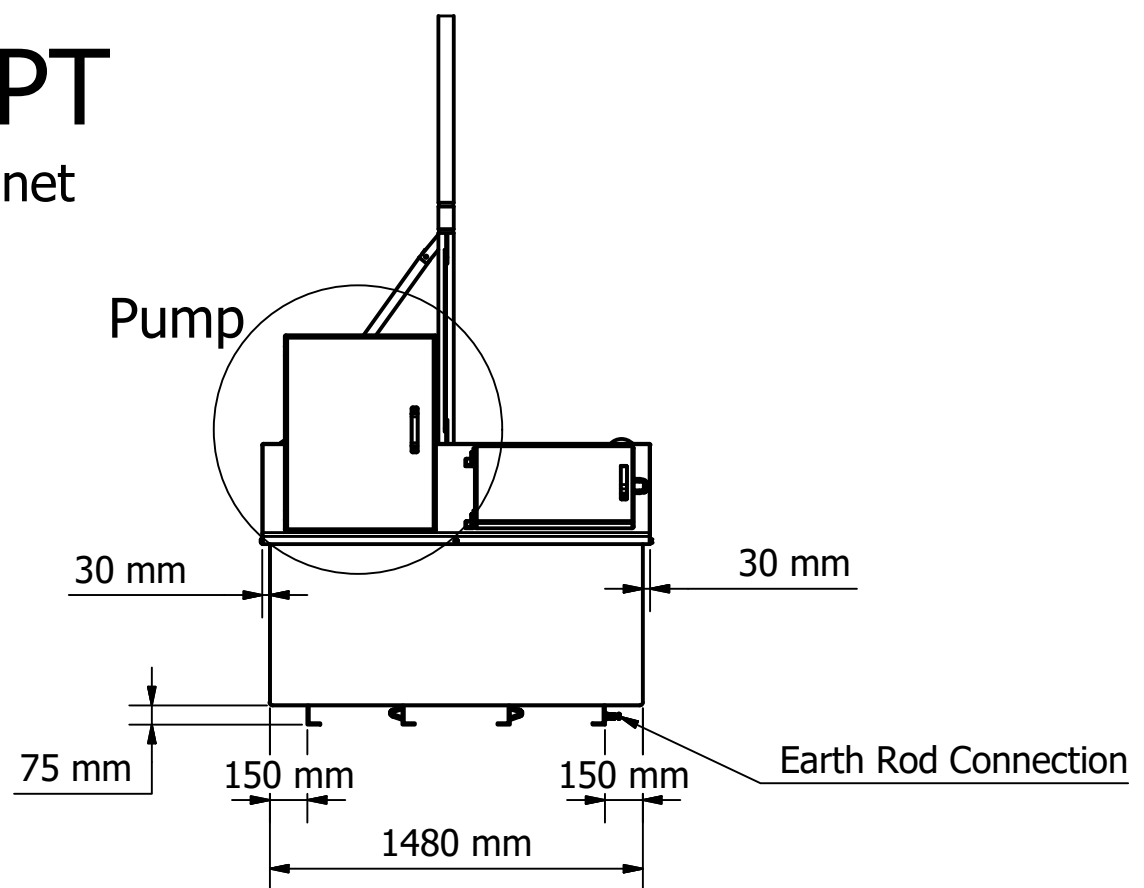



# 975 PT with Cabinet



DESIGNED BY Rob Smith	CHECKED BY J Shenton	APPROVED BY	DATE	DATE 23/01/2019
		975 PT with Cabinet		
		Weight - 585 Kgs	ISSUE A	SHEET 1 / 1