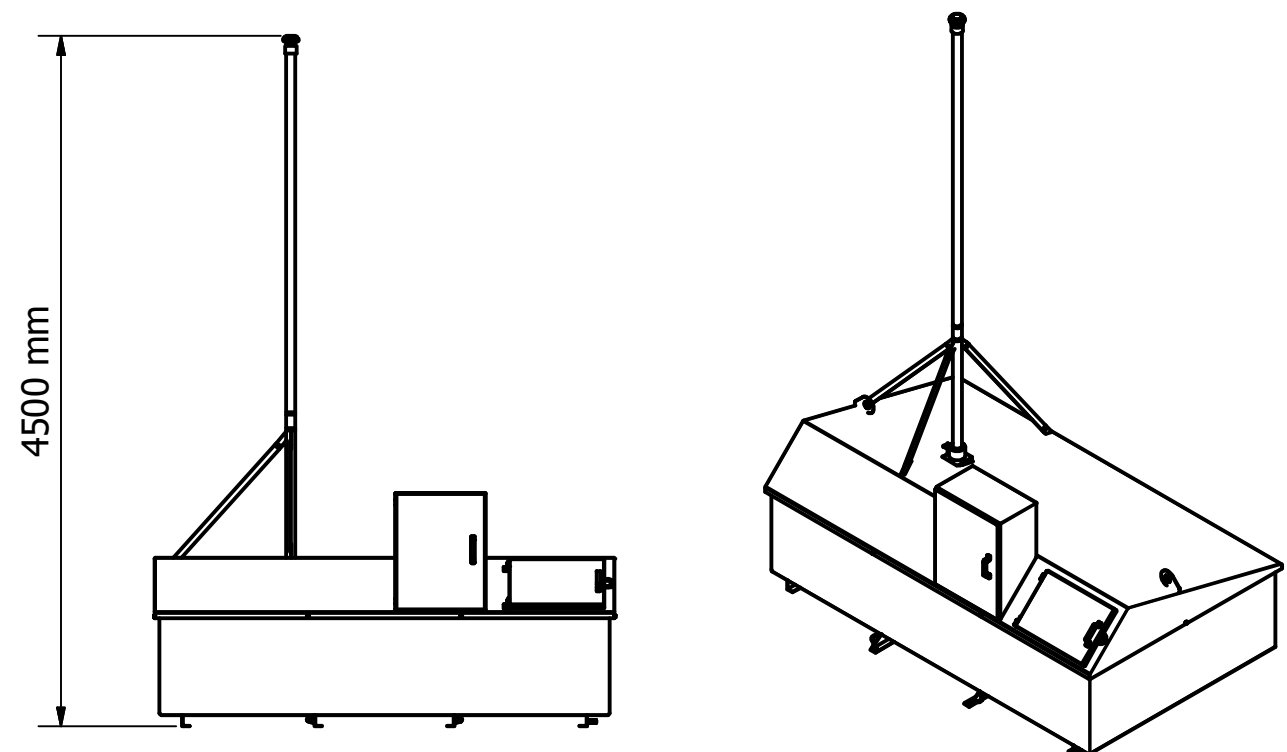
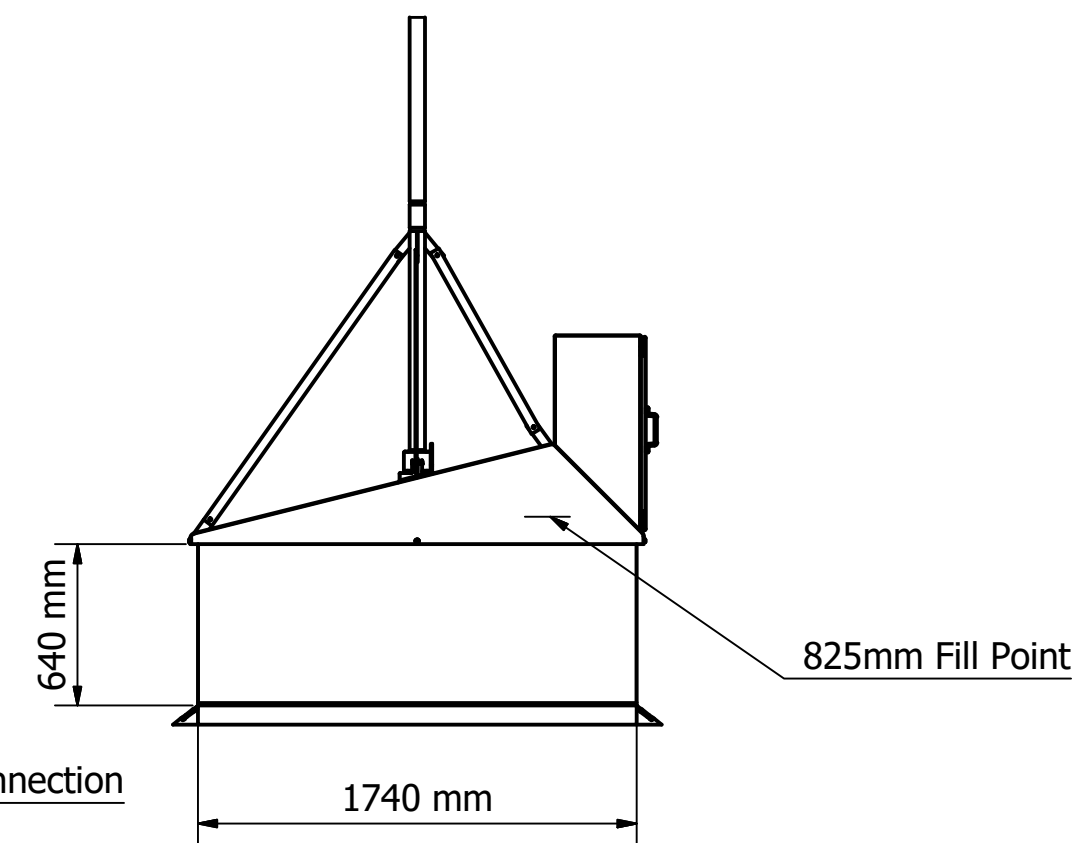
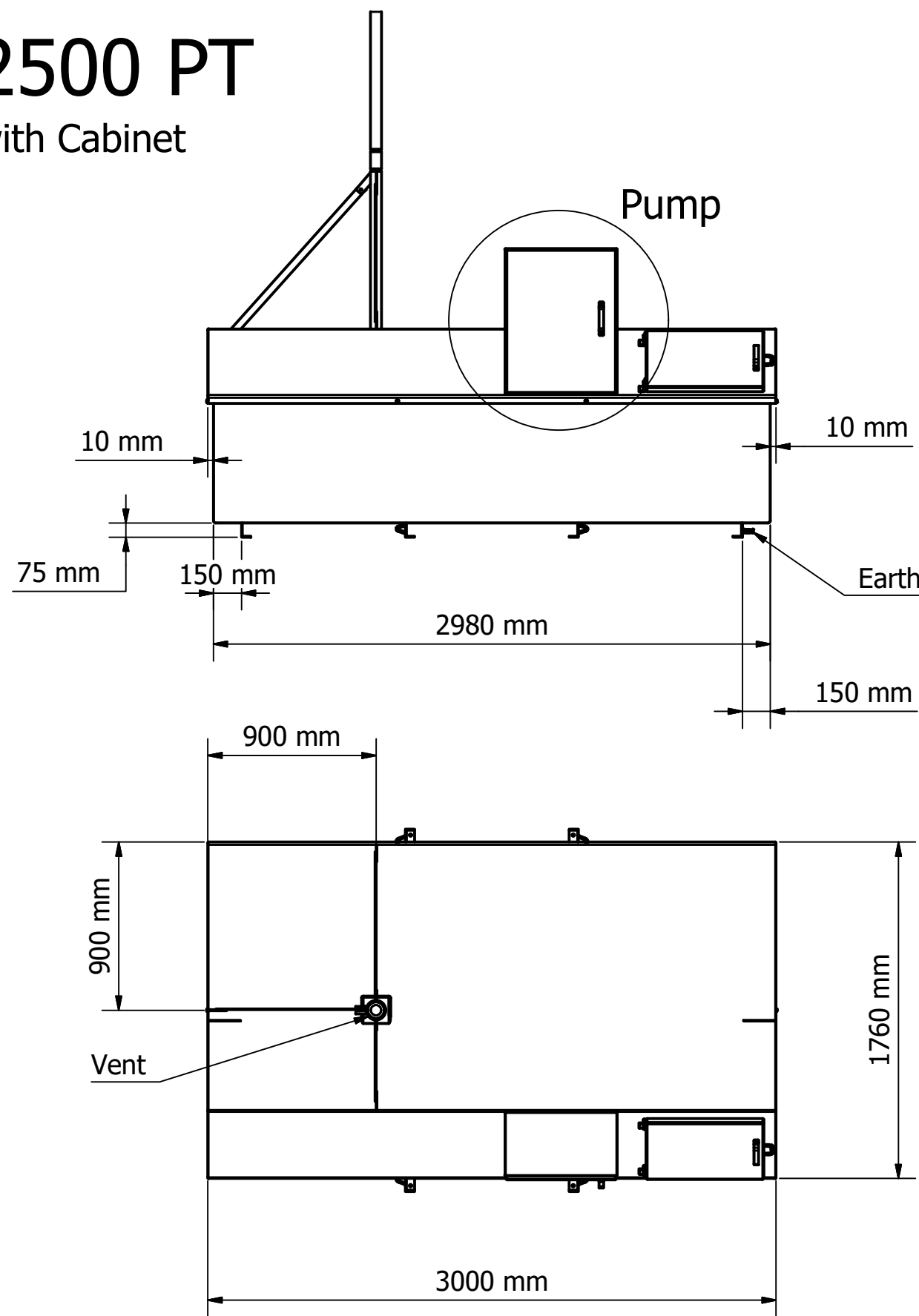



2500 PT with Cabinet



DESIGNED BY Rob Smith	CHECKED BY J Shenton	APPROVED BY	DATE	DATE 07/09/2021
		2500 PT with Cabinet		
		ISSUE B	SHEET 1 / 1	